

Features + Specifications

IP54-207701



Intended Use:

- Building interior/exterior
- Ceiling/Wall mount

Construction:

- Die cast aluminium
- Stainless steel hardware
- Easy mount back plate
- Silicone gasket

Finish:

- Powder coat paint

Optical System:

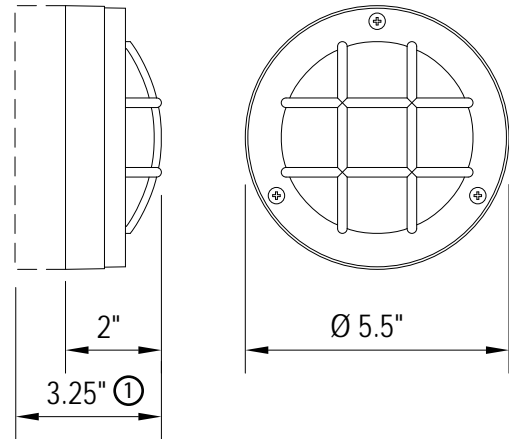
- Frosted Lens
- Long life LED Panel
- 3000K or 5000K CCT with 80 CRI or Red, Blue, Green, Amber color also available

Electrical System:

- Electronic Driver, cold temp. rated
- Integral or Remote driver
- RoHS Compliant
- Short circuit and overheat protected

Installation:

- Back plate designed to mount on 4" round electrical box
- Custom surface conduit entry hub(s) available ①



Product Code Information

IP54 - 207701 -	COLOR	LAMP	VOLTAGE	OPTIONS
	B=Black	3W3K=3000K	120=120V AC	① CEH= Conduit entry hub(s)
	W=White	3W5K=5000K	(integral driver)	
	A=Aluminum	3WR*=Red	DC12=12V DC	
	G=Grey	3WB*=Blue	(remote driver)	
	CC=Custom Color	3WG*=Green		
		3WA*=Amber		

Note: * Consult factory for availability.

Project Name:		Fixture Type:	
QTY:	Product Code:		