

*Features + Specifications*

**IP53-203140**



**Intended Use:**

- Building interior
- Building exterior

**Construction:**

- Extruded/formed aluminum
- Stainless steel fastener
- Easy mount back plate
- Clip & hang fixture body for easy lamp change

**Finish:**

- Powder coat paint

**Optical System:**

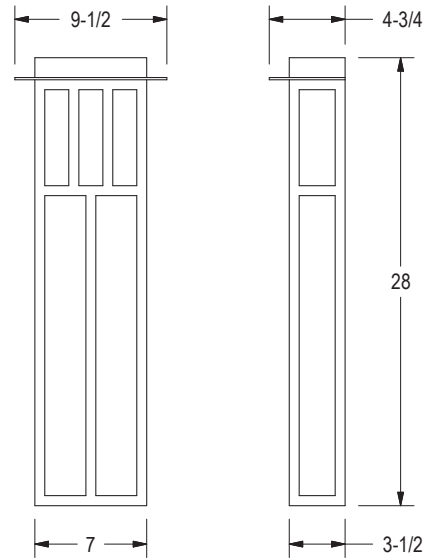
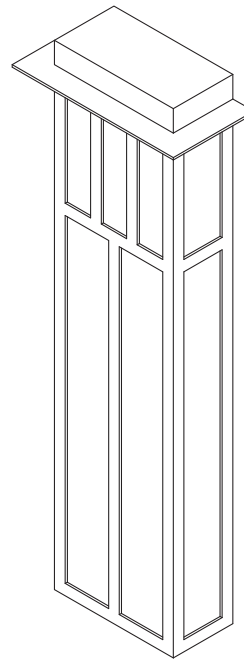
- Opal acrylic lens

**Electrical System:**

- Electronic driver, cold temperature rated

**Installation:**

- Back plate designed to mount on flat smooth surface
- Back plate approved for thru branch circuit wiring



*Product Code Information*

<b>IP53</b>	-	<b>203140</b>	-	<b>COLOR</b>	-	<b>LAMP</b>	-	<b>VOLTAGE</b>
				B=Black		LED		120=120V
				W=White				277*=277V
				A=Aluminum				347*=347V
				G=Grey				

Note: \* Consult factory for availability.

Project Name:		Fixture Type:	
QTY:	Product Code:		