

Features + Specifications

IP54-207702



Intended Use:

- Building interior/exterior
- Wall mount

Construction:

- Die cast aluminium
- Stainless steel hardware
- Easy mount back plate
- Silicone gasket

Finish:

- Powder coat paint

Optical System:

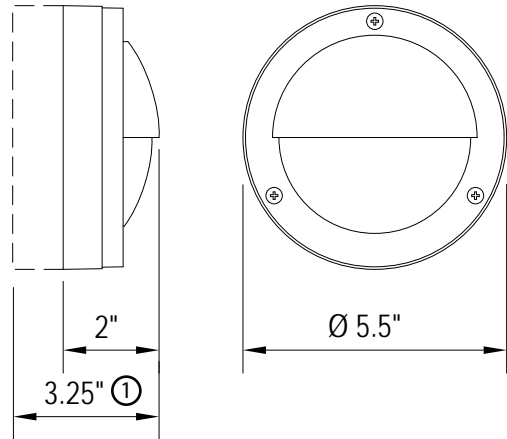
- Frosted Lens
- Long life LED Panel
- 3000K or 5000K CCT with 80 CRI or Red, Blue, Green, Amber color also available

Electrical System:

- Electronic Driver, cold temp. rated
- Integral or Remote driver
- RoHS Compliant
- Short circuit and overheat protected

Installation:

- Back plate designed to mount on 4" round electrical box
- Custom surface conduit entry hub(s) available ①



Product Code Information

IP54 - 207702 -	COLOR	-	LAMP	-	VOLTAGE	-	OPTIONS
	B=Black		3W3K=3000K		120=120V AC		① CEH= Conduit entry hub(s)
	W=White		3W5K=5000K		(integral driver)		
	A=Aluminum		3WR*=Red		DC12=12V DC		
	G=Grey		3WB*=Blue		(remote driver)		
	CC=Custom Color		3WG*=Green				
			3WA*=Amber				

Note: * Consult factory for availability.

Project Name:		Fixture Type:	
QTY:	Product Code:		