

Features + Specifications

IP51-301640

Intended Use:

- Building interior/exterior
- Ceiling/wall mount

Construction:

- Extruded/formed aluminum
- Stainless steel fastener
- Easy mount back plate
- Clip & hang fixture body for easy lamp change

Finish:

- Powder coat paint

Optical System:

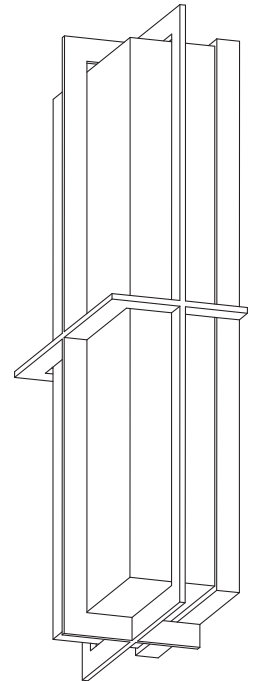
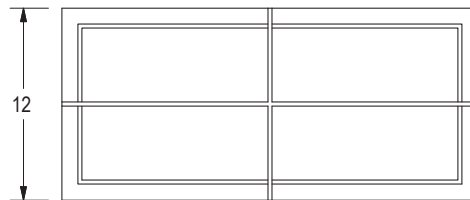
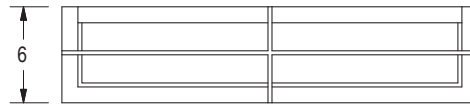
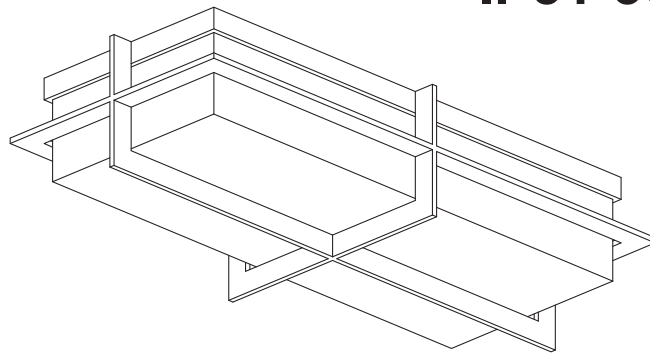
- Opal acrylic lens

Electrical System:

- Electronic ballast, cold temperature rated

Installation:

- Back plate designed to mount on flat smooth surface
- Back plate approved for thru branch circuit wiring



Product Code Information

IP51	- 301640	- COLOR	- LAMP	- VOLTAGE
		B=Black	214=2xF14T5	120=120V
		W=White	217=2xF17T8	277*=277V
		A=Aluminum	224=2xF24T5HO	347*=347V
		G=Grey	140=1xCF40	
			240=2xCF40	

Note: * Consult factory for availability.

Project Name:		Fixture Type:	
QTY:	Product Code:		