

Features + Specifications

IP54-207722



Intended Use:

- Building interior/exterior
- Wall mount

Construction:

- Die cast aluminium body
- Die cast aluminium lens frame / shroud
- Spun aluminum back compartment
- Neoprene rubber gasket

Finish:

- Powder coat paint

Optical System:

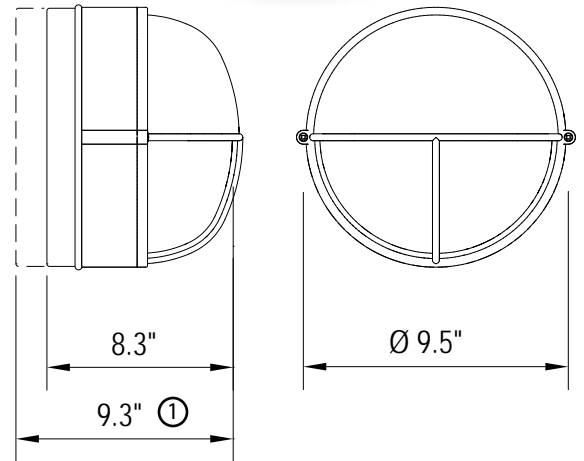
- Frosted borosilicate glass lens
- High power LED 50000+ hrs rated light module
3000K or 5000K CCT with 80 CRI

Electrical System:

- Electronic Driver, cold temp. rated
- RoHS Compliant
- Short circuit and overheat protected
- Custom surface conduit entry hub(s) available ①
- Back compartment approved for feed thru application

Installation:

- Direct mount over 4" round electrical box
- Custom surface conduit entry hub(s) available ①



Product Code Information

IP65 - 207722	COLOR	LAMP	VOLTAGE	OPTIONS
	B=Black	10W3K=720lm, 3000K	120=120V	① CEH= Conduit entry hub(s)
	W=White	10W5K=798lm, 5000K	277=277V ①	
	A=Aluminum		347=347V ①	
	G=Grey			
	CC=Custom Color			

Project Name:		Fixture Type:	
QTY:	Product Code:		