

Project:	Type:	QTY:
Product Code:		

Product Code

IP50 - **655522TL**

COLOR

W = White

INTENSITY

LCS = Lumens CCT Selectable

VOLTAGE

120/347D10 = 120-347V, 0-10 dimming

MOUNTING

T = T-bar grid
 SM = Surface Mount
 RFM = Recessed Flange Mount

Features + Specifications

Intended Use:

- Building interior
- Damp location listed

Construction:

- Extruded aluminum frame
- Full size sheet metal housing
- All metal driver box with generous wiring space inside
- Suitable for return-air plenum application

Finish:

- White powder coat paint

Optical System:

- Light modules made from 2538 SMD leds 80+CRI
- LEDs with LM80 and TM21 test data, L70@50000+hrs
- 5 CCT selectable 3000K/3500K/4000K/5000K/6500K
- 125lm/W (20W/25W/30W/35W/40W) calibrated across all CCT range
- Opal PMMA lens made with non-yellowing materials
- No visible LED diodes images
- Designed for general lighting in an open space



IP50-655522TL

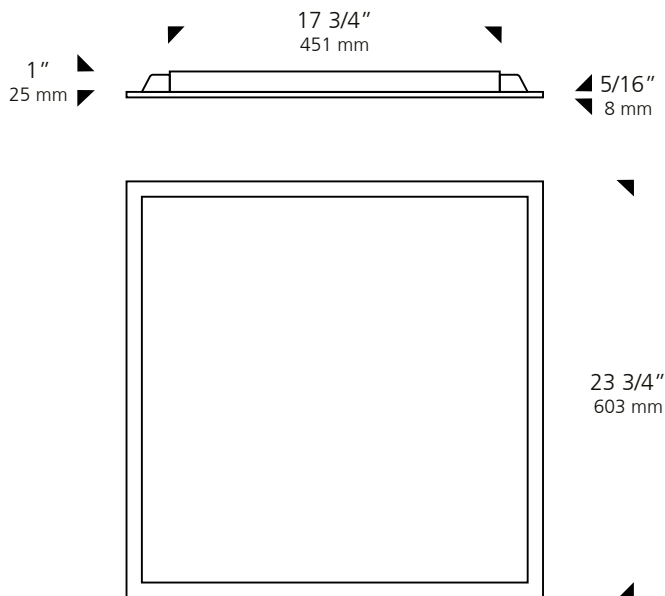
Electrical System

- High efficiency, HPF low THD constant current driver
- 120-347 wide input voltage range
- 0-10 V dimming
- Driver is wattage selectable 20W/25W/30W/35W/40W
- All components are RoHS compliant

Mounting:

- Recessed mount in 24" x 24" T-bar ceiling grid
- Free air suspension with aircraft cable
- Surface mount
- Recessed flange mount

Dimensions:



Right reserved for material and spec modification without prior notice

Datocode 20230929