

Project:	Type:	QTY:
Product Code:		

Product Code

IP50 - 655588 -	COLOR	LAMP	VOLTAGE	MOUNTING
A	=aluminum	R600/48W35K =2880 lm	120 =120V	SM =surface mount
W	=white	R600/48W6K =3120 lm	277 =277V	FM1 =flush mount, recessed driver box
CC	=custom color	R700/60W35K =3600 lm	347 =347V	FM2 =flush mount, remote driver box
		R700/60W6K =3900 lm	120D =120V dimming	CS48 =cable suspension 48"
		R800/65W35K =3900 lm	120D10=120V, 0-10V dimming	CSSC=cable suspension custom length
		R800/65W6K =4225 lm	277D10=277V, 0-10V dimming	
		R900/70W35K =4200 lm	347D10=347V, 0-10V dimming	
		R900/70W6K =4550 lm		
		R1000/90W35K=5400 lm		
		R1000/90W6K =5850 lm		

Features + Specifications

Intended Use:

- Building interior

Construction:

- Extruded aluminum frame
- Full size sheet metal backing for plastic lens

Finish:

- Brushed aluminum finish on frame
- Various powder coat paint color available

Optical System:

- High Brightness SMD leds, 80+ CRI with 50000+hrs L70 life rating
- 3500K, 4100K & 5200K CCT commonly available
- 2700K and 3000K CCT available on special order requiring minimum order quantity
- SMD leds mounted on rigid laminated aluminum circuit board
- Circuit board recessed mounted inside extruded aluminum frame

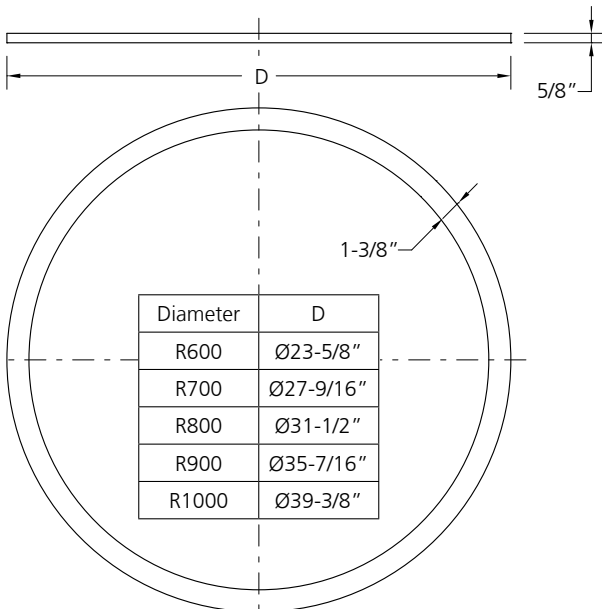
- Special light transmitting opal acrylic lens being edge lit by frame creating a no glare high brightness lighting panel
- Perfect for general lighting application without hot spots

Electrical System:

- Special designed constant current driver technology
- 85VAC to 264VAC variable input voltage eliminates voltage drop or voltage spike (common in large commercial and institutional buildings)
- Special 120V dimmable driver available
- 277V & 347V also available

Mounting:

- Free air suspension with aircraft cable
- Surface mount
- Flush mount



Certified to CSA C22.2 No.250.0 Conformed to UL 1598

Certification Marks (where applicable) will be found on our luminaires and its components



www.iplighting.com



Right reserved for material and spec. modification without prior notice.

Datecode 20140810

Warranty - Up To 3 Years