



Ø4"

Project:	Type:	QTY:
Product Code:		



Product Code

IP53	-	RFL4SD	-	TRIM COLOR	-	INTENSITY	-	VOLTAGE
				W*=White		WW27 =2700K		120=120V, AC
				A =Aluminum		WW30*=3000K		
				C =Polished Chrome		NW40 =4000K		
				N =Brushed Nickel				
				Z =Bronze				
				B =Black				
				P =Pewter				
				CC =Custom Color				

DRIVER BOX NOTE:
Driver box has 175 cm³ (mL), (10.67 in³) of free wiring space inside. Will accommodate up to MAXIMUM 4 No. 12 AWG wires

Note: * Components usually in-stock for quick assembly and shipping.

Features + Specifications

Intended Use:

- Building interior
- Building exterior (ceiling recessed only)
- Damp location listed
- IC rated, approved and tested for direct contact with insulation materials

Construction:

- Die-cast aluminum one piece trim frame with built-in heat sink
- Opal PMMA lens with light glide technology for even light distribution
- Full metal top plate protects LED PCB
- Heavy duty installation springs ensure tight fitting to ceiling

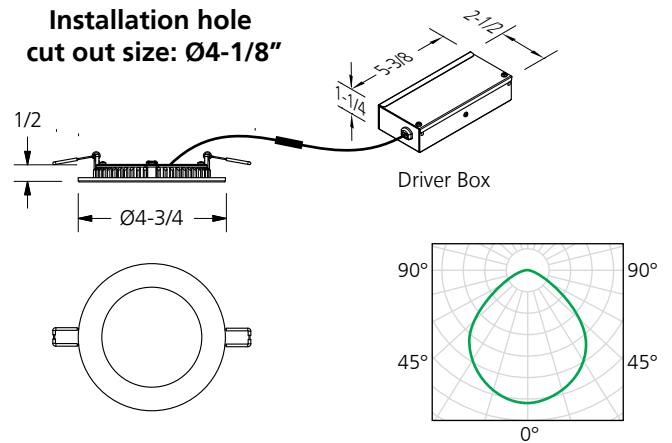
Finish:

- W = Powder coat painted
- A = Anodized aluminum
- C = Polished Chrome
- N = Brushed Nickel
- Z = Bronze
- B = Black
- P = Pewter
- CC = Powder coat painted

Optical System:

- High brightness 2835 SMDs with LM80 certificate **6W**
- ***WW30 = 3000K CCT, 600 lumens** minimum with 80+ CRI

Installation hole cut out size: Ø4-1/8"



- Optional CCT color WW27 and NW40 also available (This CCT might require minimum quantities with longer lead time)
- L70 @ 50000hrs for ambient temperature <25°C, 35000hrs >25°C
- PCB made from laminated heavy gauge copper materials

Electrical System:

- Constant current driver technology
- 120V line voltage dimmable with most dimmers
- Overheat protected, RoHS compliant

Certified to CSA C22.2 No.250.0 Conformed to UL 1598

Certification Marks (where applicable) will be found on our luminaires and its components



www.iplighting.com

