



Project:	Type:	QTY:
Product Code:		

Ø3"



Product Code

IP54 - RCL3SD - INTENSITY - VOLTAGE - OPTION
 WW27 =2700K CCT, 495 lm 120 =120V 125TCA=1.25" thick ceiling adaptor
WW30*=3000K CCT, 500 lm

Note: * Components usually in stock for quick assembly and shipping.

Features + Specifications

Intended Use:

- Building interior/exterior
- Ø3" Ceiling recessed mount
- Low profile design, IC rated
- Ideal for Residential + Light commercial use
- Wet location ceiling mount (CSA location 3)

Construction:

- Die cast aluminum one piece trim/reflector
- Trim powder coat painted low gloss white
- Low profile clear specular reflector ring
- PMMA frosted opal lens

Optical System:

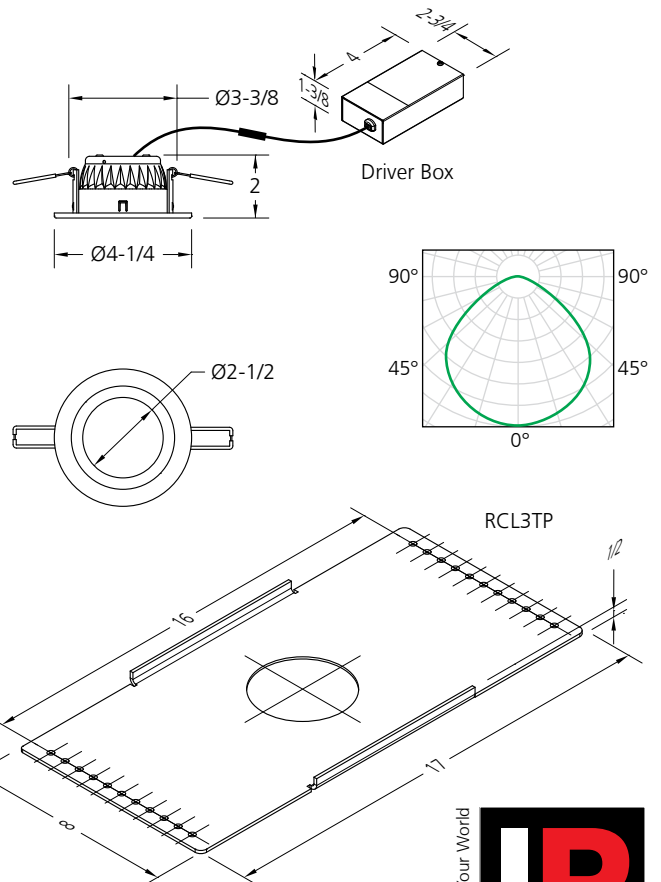
- High brightness Samsung LM561B SMDs with LM80 certificate **3.6W**
- ***WW30 = 3000K CCT, 500 lumens** minimum with 80+ CRI
- Optional CCT color WW27 also available (This CCT might require minimum quantities with longer lead time)
- Laminated aluminum PCB for effective heat management
- PMMA frosted opal lens with specular cone for glare control
- 120° symmetrical light distribution
- Ideal for general lighting application
- Fits up to 3/4" thick ceiling materials
- Optional factory installed 1-1/4" thick ceiling adaptor

Electrical System:

- Constant current driver technology
- HPF and High Efficiency circuitry
- RoHS compliant
- Short circuit and Overheat protected
- 120V Line voltage dimmable

Mounting:

- Install directly into ceiling without recessed housing
- Optional mounting template available (order RCL3TP)



Certified to CSA C22.2 No.250.0 Conformed to UL 1598

Certification Marks (where applicable) will be found on our luminaires and its components



www.iplighting.com



Right reserved for material and spec. modification without prior notice.

Datecode 20170227

Warranty - Up To 5 Years