



Project:	Type:	QTY:
Product Code:		

Ø5"



Product Code

IP54 - RCL5SD - INTENSITY - VOLTAGE - OPTION
 WW27 =2700K CCT, 1386 lm 120 =120V 125TCA=1.25" thick ceiling adaptor
WW30*=3000K CCT, 1418 lm

Note: * Components usually in stock for quick assembly and shipping.

Features + Specifications

Intended Use:

- Building interior/exterior
- Ø5" Ceiling recessed mount
- Low profile design, IC rated
- Ideal for Residential + Light commercial use
- Wet location ceiling mount (CSA location 3)

Construction:

- Die cast aluminum one piece trim/reflector
- Trim powder coat painted low gloss white
- Low profile clear specular reflector ring
- PMMA frosted opal lens

Optical System:

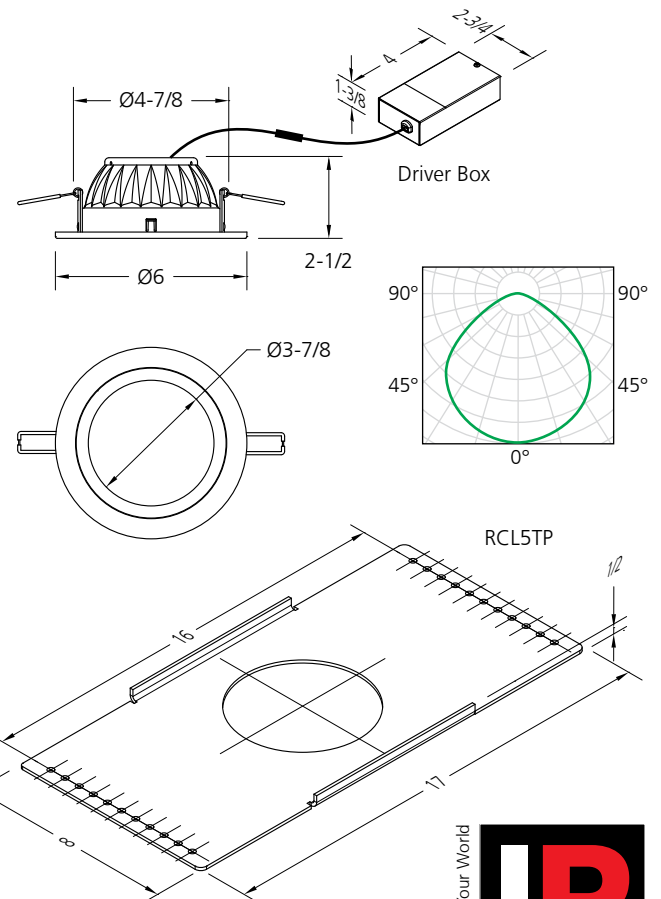
- High brightness Samsung LM561B SMDs with LM80 certificate **11.7W**
- ***WW30 = 3000K CCT, 1400 lumens** minimum with 80+ CRI
- Optional CCT color WW27 also available (This CCT might require minimum quantities with longer lead time)
- Laminated aluminum PCB for effective heat management
- PMMA frosted opal lens with specular cone for glare control
- 120° symmetrical light distribution
- Ideal for general lighting application
- Fits up to 3/4" thick ceiling materials
- Optional factory installed 1-1/4" thick ceiling adaptor

Electrical System:

- Constant current driver technology
- HPF and High Efficiency circuitry
- RoHS compliant
- Short circuit and Overheat protected
- 120V Line voltage dimmable

Mounting:

- Install directly into ceiling without recessed housing
- Optional mounting template available (order RCL5TP)



Certified to CSA C22.2 No.250.0 Conformed to UL 1598

Certification Marks (where applicable) will be found on our luminaires and its components



www.iplighting.com

