



Project:	Type:	QTY:
Product Code:		

Ø8"



Product Code

IP54 - RCL8 - RTF -	INTENSITY	VOLTAGE	OPTION
WW27	=2700K CCT, 2520 lm	120=120V	125TCA=1.25" thick ceiling adaptor
WW30*	=3000K CCT, 2580 lm	277=277V	
WW35	=3500K CCT, 2650 lm	347=347V	
NW	=4100K CCT, 2730 lm	120D10=120V 0~10 control	
		277D10=277V 0~10 control	
		347D10=347V 0~10 control	

Note: * Components usually in stock for quick assembly and shipping.

Features + Specifications

Intended Use:

- Building interior/exterior
- Ø8" Ceiling recessed mount
- Low profile design for existing ceiling use
- Ideal for Residential + Light commercial use
- Wet location listed

Construction:

- Die cast aluminum one piece trim/reflector
- Trim powder coat painted low gloss white
- Low profile clear specular reflector ring
- PMMA frosted opal lens

Optical System:

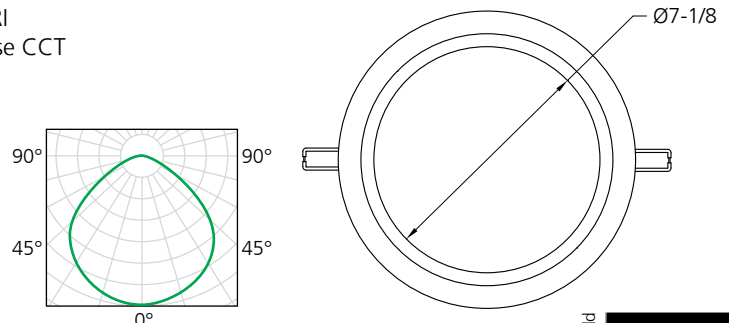
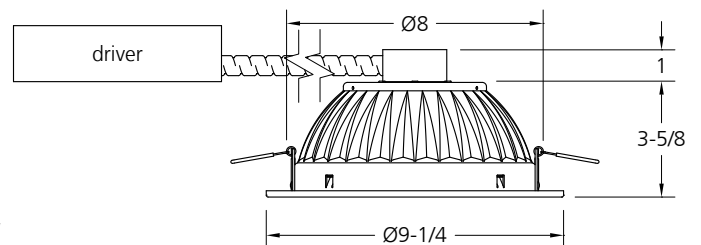
- High brightness Samsung LM561B SMDs with LM80 certificate **21W** >120 lm / LED watt
- ***WW30 = 3000K CCT, 2580 lumens** minimum with 80+ CRI
- Optional CCT color WW27, WW35 & NW also available (These CCT might require minimum quantities with longer lead time)
- Laminated aluminum PCB for effective heat management
- PMMA frosted opal lens with specular cone for glare control
- 120° symmetrical light distribution
- Ideal for general lighting application
- Fits up to 3/4" thick ceiling materials
- Optional factory installed 1-1/4" thick ceiling adaptor

Electrical System:

- Constant current driver technology
- HPF and High Efficiency circuitry
- RoHS compliant
- Short circuit and Overheat protected
- 120, 277 & 347V Line voltage dimmable

Mounting:

- Ideal for retrofit application into existing ceiling



Certified to CSA C22.2 No.250.0 Conformed to UL 1598

Certification Marks (where applicable) will be found on our luminaires and its components



www.iplighting.com



Right reserved for material and spec. modification without prior notice.

Datecode 20170127

Warranty - Up To 5 Years