

Project:	Type:	QTY:
Product Code:		

Product Code

IP54 - RDDC78	TRIM COLOR	LED DATA	DIST.	VOLTAGE	OPTIONS
	WC = White	7W 927	SP = 15°	120=120VAC	RDDC78 = TP
	BC = Black	9W 930	NFL = 25°	120D10=120V 0-10V control	
	AC = Aluminum	12W 935	FL = 38°		
		15W 940			

Features + Specifications

Intended Use:

- Building interior (suitable for wet location)
- Building exterior (wet location CSA LOC3, covered ceiling)
- Deeper cone low glare optical design for enhanced visual comfort
- Minimal trim design define refinement
- Unit is IC rated without use of recessed housing

Construction:

- Die-cast aluminum one-piece trim and lower reflector
- Extruded aluminum high efficiency heat sink
- Precision optical upper reflector cone with clear glass protective lens
- Heavy duty installation springs ensure tight fitting to ceiling
- Gasketed for wet location ceiling mount (CSA LOC 3)

Finish:

- Powder coat paint finish, colour choice of Satin White, Satin Black and Metallic Aluminum

Optical System:

- High quality precision reflector cone optics with clear glass lens seals off LED chamber
- SP 15°, NFL 25° & FL 38° reflector cone optics
- Luminus GEN III COB, 90CRI, R9>50, 3 SDCM binning
- CCT choice in 2700K, 3000K and 3500K, 4000K available by request
- 50000 hrs L70 <25°C ambient, 35000 hrs L70 >25°C ambient

DELIVERED LUMENS

CCT	7W	9W	12W	15W
2700	690	903	1040	1390
3000	705	975	1125	1500
3500	720	991	1140	1525
4000	732	1046	1200	1610



IP54-RDDC78

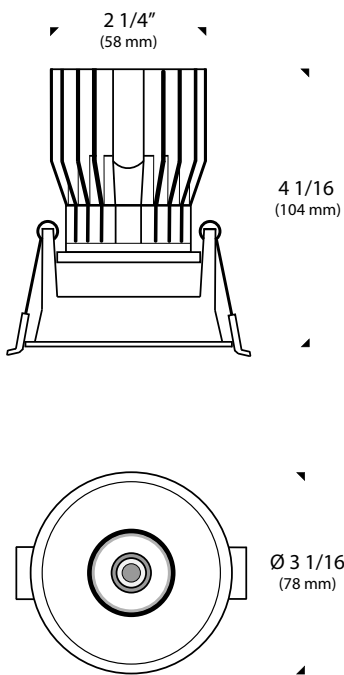
Electrical System

- Plug in style driver box with FT6 connection cables
- Driver junction box fill meets in/out wiring for 4 x 12AWG conductors
- High efficiency constant current drive technology, low THD, HPF, RoHS compliant
- 7W, 9W, 12W & 15W system watt
- 120V AC line dimmable with most phase cut dimmers, 120V AC with 0-10 control optional
- Driver box is IC rated with class II output

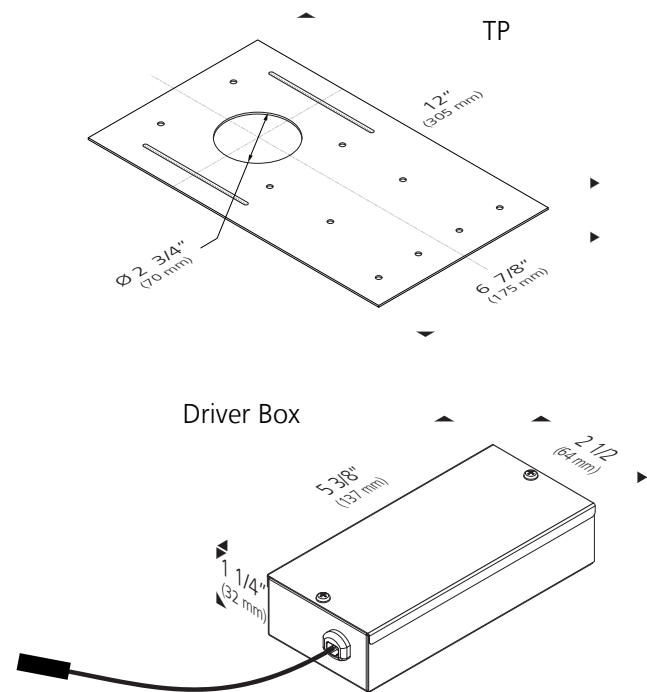
Mounting:

- Ceiling recessed mount
- Can be use as retrofit into existing finished ceiling
- New construction mounting plate is available, please order RDDC78-TP

Dimensions:



Accessories:



Right reserved for material and spec modification without prior notice

Datocode 20240124