

| | | |
|---------------|-------|------|
| Project: | Type: | QTY: |
| Product Code: | | |



Product Code

IP54 - RFL4CS

COLOR

W = White

LED DATA

5CCT

VOLTAGE

120 = 120V, AC

ACCESSORIES

TP425 = mounting plate (sold separately)

Features + Specifications

Intended Use:

- For use in dwelling units
- Building interior
- Building exterior, covered ceiling only
- Wet location listed
- IC rated for direct contact with insulation materials

Optical System:

- High brightness multiple LEDs strip PCB
- Multiple CCT 2700K to 5000K, CCT selectable design
- 80+ CRI, 800lm @ 3000K
- Edge lit with light glide lens technology, highly efficient
- Bottom PMMA lens with wide 120° light distribution
- 50000 hrs life rating for use in dwelling units

Construction:

- Die-cast aluminum one piece trim frame with built-in heat sink
- Opal PMMA lens with light glide technology for even light distribution
- Full metal top plate protects LED PCB
- Heavy duty installation springs ensure tight fitting to ceiling

Finish:

- W = Powder coat painted



Certified to C22.2 No. 250.0 Conformed to UL 1598 | Certification marks (where applicable) will be found on our luminaires and its components

www.iplighting.com



Right reserved for material and spec modification without prior notice

Datocode 20240528

IP54-RFL4CS

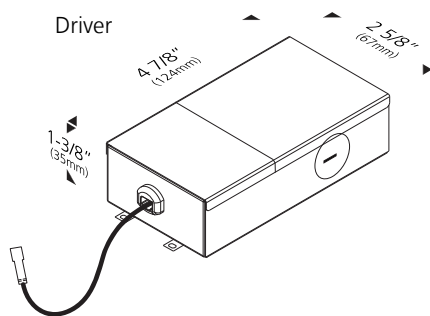
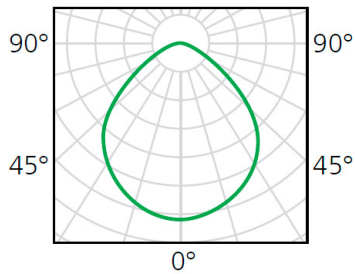
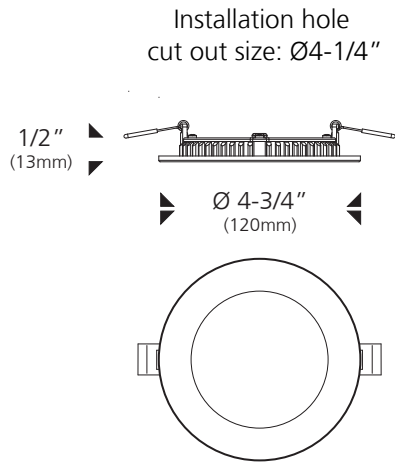
Electrical System:

- Constant current driver technology
- HPF, low THD, RoHS compliant
- Short circuit and overheat protected
- Class II low voltage output, 12W system watts
- 120V dimmable with most wall box type LED dimmers

Mounting:

- Ceiling recessed mount
- New construction mounting plate available, order TP425, sold separately

Dimensions:



Accessories:

